

HWS - pneumatic valve

compact
secure
flexible applicable



H › W › S › PAV 90

pneumatic valves

and spare parts

H ▶ W ▶ S ▶ pneumatic valves and spare parts

The HWS - pneumatic valves PAV 90 were designed, to offer the user the right valve for every requirement.

The application is useful wherever, high temperatures occur and aggressive media are appropriated.

The spatial separation of the control unit and the pneumatic valves allow even the use in EX zones.

The respective switching status of the valves is presented at the control unit by an LED.

The operation of the valves can be performed at the stand device as well as by a long distance line with handkey or controlled by a PC.

The serial-production implemented clock generator allows a dosing in preselected clock rates.

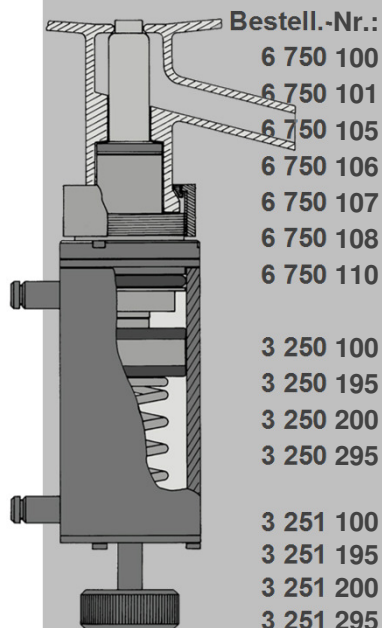
By default the preselect from 1 - 999 seconds can be chosen, optional even from 0,1 - 99,9 seconds.

There are outlet- and dosing valves for exchange of the existing standard versions deliverable. Of course even special executions are possible.



technical data

| | |
|----------------------------------|---|
| air pressure: | |
| working pressure range: | ca. 2,5 - 3,0 barÜ |
| max. pressure: | 4 bar overpressure absolute |
| hose connection: | quick plug-system |
| electronic: | |
| electric supply: | 230 V AC / 50 Hz |
| power input: | 12 VA |
| safety extra-low voltage: | acc. VDE 0551 |
| interfaces: | remote entry (0/10V, 0/20mA) 5-pole connector acc. DIN 45327 |
| safety function: | breakdown of main voltage breakdown of air pressure supply |
| weight: | ca. 3.8 kg |



control unit

table version with appliance cord
stand device with appliance cord
pressure reducer, 0-6 bar
pressure hose, PTFE, 4mm, blue
pressure hose, PTFE, 5mm, yellow
pressure hose, PTFE, 4mm, red
handkey for remote control
outletvalve with glass part
valve "T" 10mm, pneumatic
valve "T/P" 10mm, pneumatic
valve "H" 20mm, pneumatic
valve "H/PT" 20mm, pneumatic
outletvalve for exchange
valve "T" 10mm, pneumatic
valve "T/P" 10mm, pneumatic
valve "H" 20mm, pneumatic
valve "H/PT" 20mm, pneumatic